

CONGRATULATIONS

You've purchased the finest lighted mirror available, from the global leader in mirror technology. This lighted mirror is quick and easy to install and is designed and manufactured to offer you years of enjoyment.

Please read these instructions thoroughly before beginning installation. If you have any questions, please contact our Customer Service team at 425.776.4946, or customer.support@electricmirror.com.

APPLICATION

These installation instructions apply to the lighted mirrors listed below with the specific part number prefix indicated in parentheses:

- Candela (CAN)
- Celestino (CEL)
- Eliseo (ELO)
- Estella (EST)
- Granada (GRA)
- Materia (MAT)
- Nuria (NUR)
- Nuria4 (NUR4)
- Renato (REN)
- Rosa (ROS)
- Solia (SOL)
- Tiempo (TIE)
- Tranquilidad (TRA)
- Valeria (VAL)

To confirm the part number for your lighted mirror, look for the product sticker on the inside of the chassis or back of the fixture.



DEFINITIONS

The following terms may be used throughout this and other Electric Mirror Installation Guides:

- Lighted Mirror: the complete product that will be installed.
- Fixture: the lighted mirror chassis and/or wall cleat, plus the glass mirror surface.
- Chassis: the metal structure housing the electronics and LEDs.
- Wall Cleat: the metal bar affixed to the wall upon which the fixture hangs.
- Catch Plates: small, round magnetic pieces affixed to the wall to hold the fixture secure.
- Mirror: the glass mirror surface on the front of the chassis.

TABLE OF CONTENTS

I. REVIEW IMPORTANT SAFETY INSTRUCTIONS	2
II. UNPACK THE LIGHTED MIRROR.....	3
III. DETERMINE THE FIXTURE LOCATION ON THE WALL.....	3
IV. INSTALL THE WALL CLEAT	4
V. PREPARE THE ELECTRICAL	6
VI. ALTERNATE SWITCH WIRING.....	7
VII. HANG THE FIXTURE.....	8
VIII. CLEAN THE MIRROR.....	10

I. REVIEW IMPORTANT SAFETY INSTRUCTIONS

A. Use a qualified electrician.

1. Your lighted mirror must be installed by a qualified technician or electrician.
2. These instructions assume an electrical connection has already been brought to the fixture location in the wall.
3. All electrical components must be serviced by qualified electricians.
4. Power source must be disconnected prior to servicing components.



B. Read and follow instructions.

1. For proper installation, read and install the fixture according to these instructions, and keep a copy for future use.
2. Failure to follow these instructions voids the warranty.

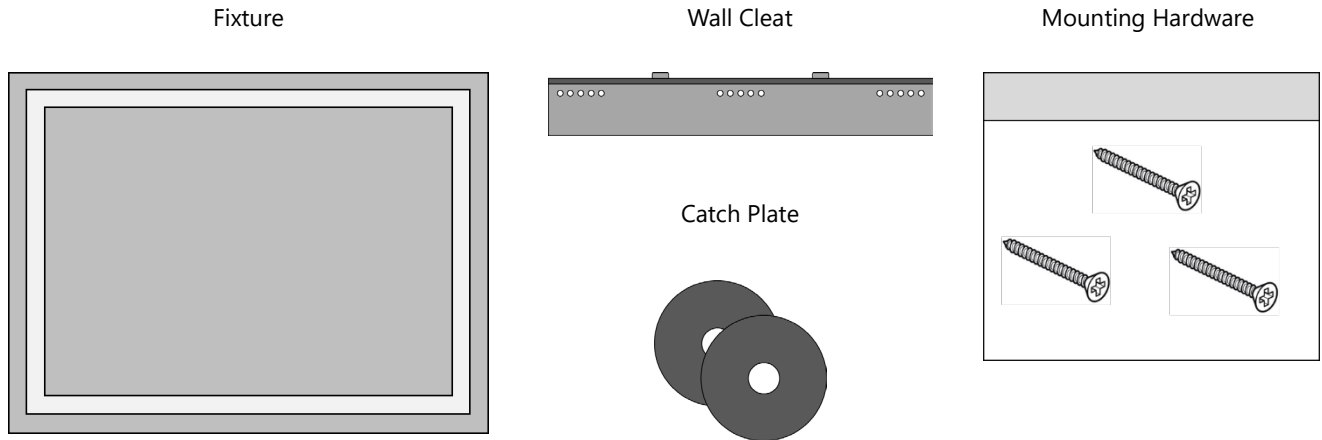
C. Follow all safety precautions.

1. To prevent injury, the fixture must be installed according to these instructions.
2. Failure to do so could result in serious injury or death.

II. UNPACK THE LIGHTED MIRROR

A. Verify the contents.

1. Unpack the boxes, identify, and verify all contents prior to installation.
2. In general, your lighted mirror will include the following:



B. Protect the mirror.

1. Do not unpack the mirror until ready to hang.
2. Do not set any part of the mirror on or against a hard surface.

III. DETERMINE THE FIXTURE LOCATION ON THE WALL

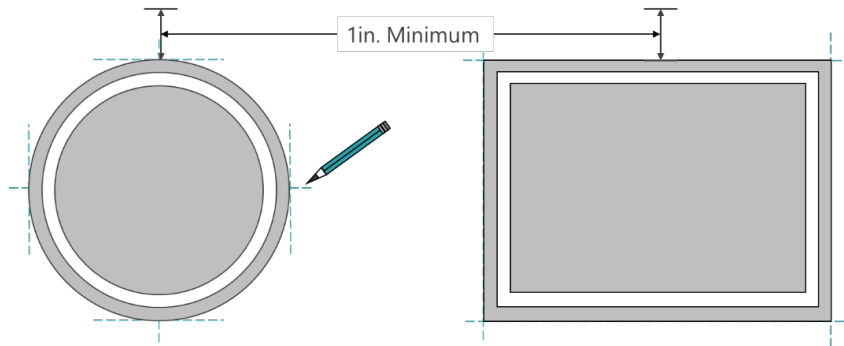
A. Confirm the proper fixture orientation.

1. All fixtures must be mounted in the width x height orientation identified in the part number because the hanger is permanently attached to the back of the fixture and therefore the fixture can only be installed in the designated orientation.



B. Determine and mark fixture location on the wall.

1. Measure the fixture and note the exact dimensions.
2. Mark the fixture's desired location on the wall, ensuring the top edge of the fixture is a minimum of 1" from the ceiling.



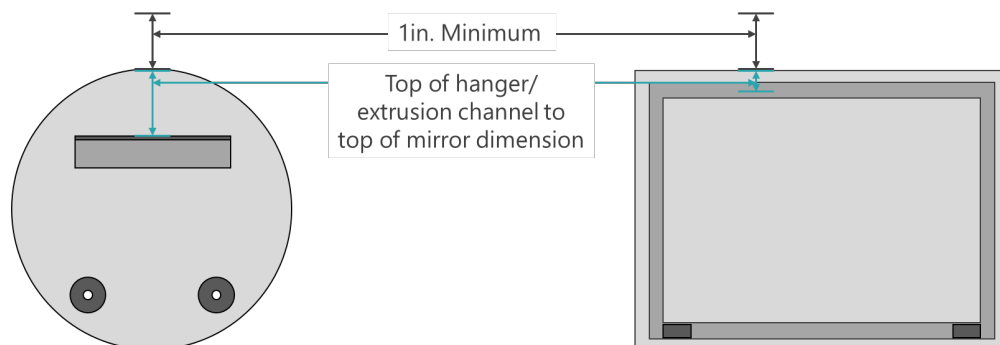
IV. INSTALL THE WALL CLEAT

A. Understand the fixture hanging system.

1. The top wall cleat is used to support the weight of the fixture.
2. The bottom two magnetic catch plates are used to secure the lower part of the fixture to the wall.

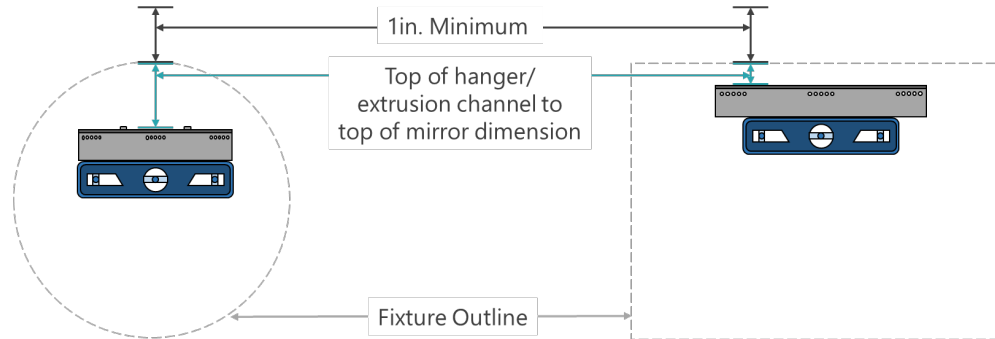
B. Prepare the fixture for hanging.

1. Determine where the hanger sits on the back of the mirror to locate where the cleat goes on the wall
 - a. Measure the distance from the top of the hanger (round mirrors) or the top of the to the top of the mirror.

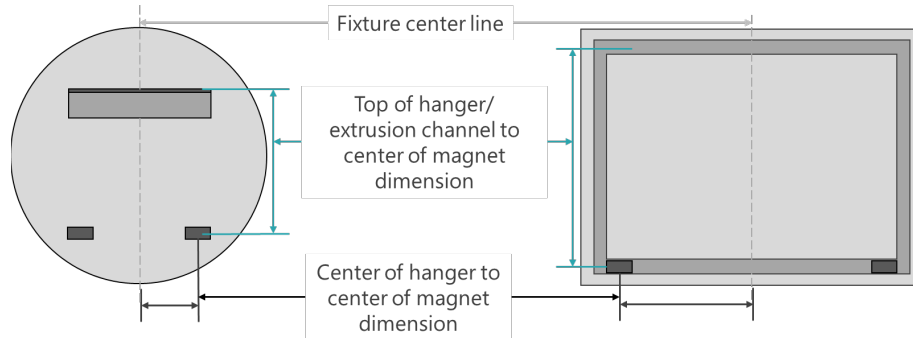


- b. Add this distance to the minimum 1" from the ceiling. Use the combined dimension to place the wall clean in the correct location.

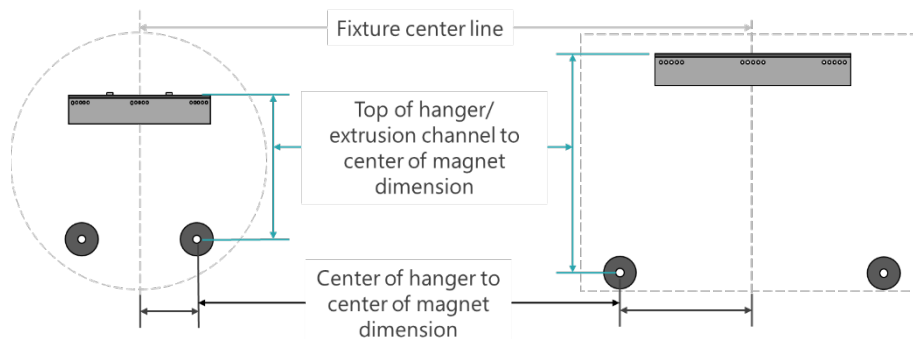
2. Using the wall cleat as a template, locate and mark the mounting holes on the wall.
 - a. Use a level to make sure the wall cleat is straight before affixing it to the wall.



- b. Ensure screws are in a stud or suitable backing.
 - c. Pre-drill holes or use wall anchors as necessary.
 - d. Secure the wall cleat to the wall with provided hardware
3. Determine where the magnets sit on the back of the mirror to determine where to place the magnetic catch plates.
 - a. Measure the distance from the top of the hanger to the center of the magnets
 - b. Measure the distance from the center line of the hanger to the center of the magnets



- c. Use these two dimensions to locate the spot on the wall to affix the magnet catch plates



- d. Secure the magnet catch plates to the wall with provided hardware.

V. PREPARE THE ELECTRICAL

A. Follow safety precautions.

1. Turn power off to the circuit via the breaker box powering the lighted mirror.
2. Follow all NEC (National Electric Code) wiring standards for installation.

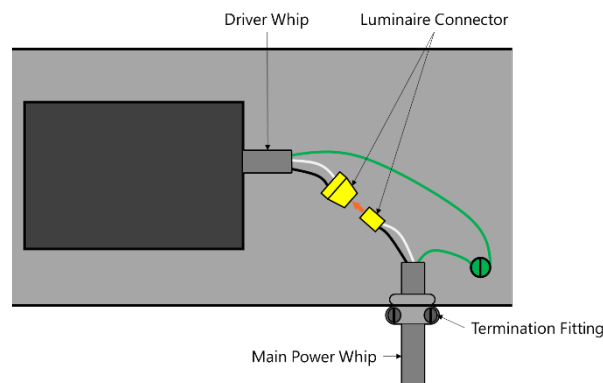
B. Understand the necessary electrical requirements.

The fixture requires:

1. Switched 120V circuit
2. If your fixture has additional options, there may be additional power requirements.

C. Connect the electrical.

1. The fixture uses luminaire connectors connector to bridge the power from the wall to the power box.
2. To prepare the connectors, follow these steps:
 - a. Bring the whip to driver via the knockout in the driver enclosure.
 - b. Secure the whip to the enclosure with appropriate clamp or termination fitting.



- c. Take the ground (green) wire and strip the wire 0.375". Connect the ground wire from the whip to the ground wire in the driver enclosure by using a luminaire connector.
- d. Strip the hot (black) and neutral (white) wires in the same way as the ground. Insert the stripped ends into the open end of the luminaire connector in the appropriate location
- e. Ensure the two ends of the luminaire connector are plugged into to each other.

D. If the mirror is cord connected, insert provide cord into the prepared wall socket behind fixture.

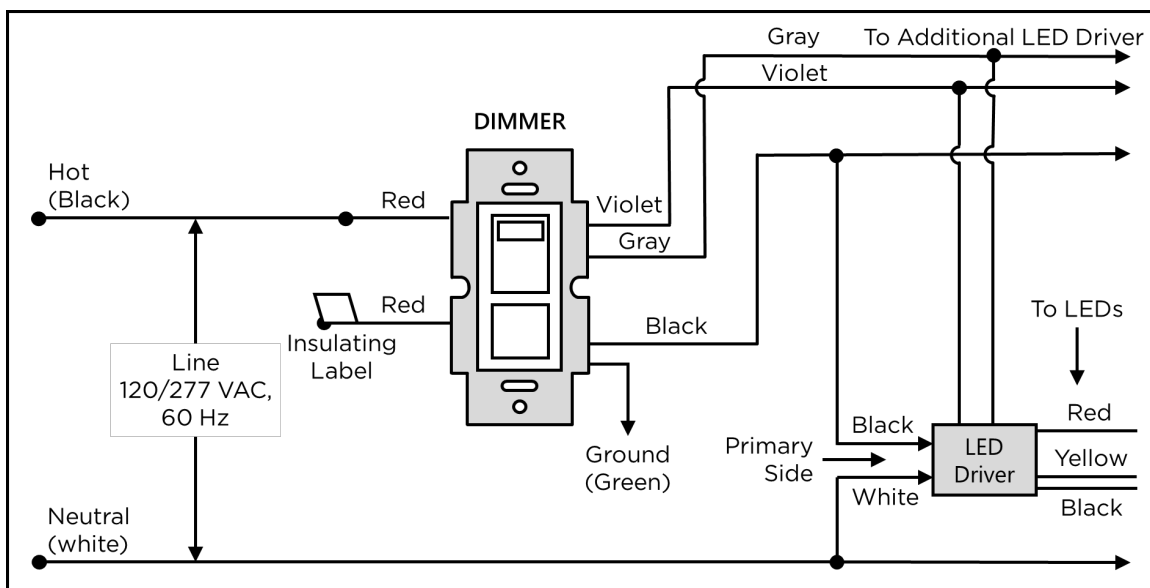


VI. ALTERNATE SWITCH WIRING

If a dimming switch is not used, skip to step VII:A

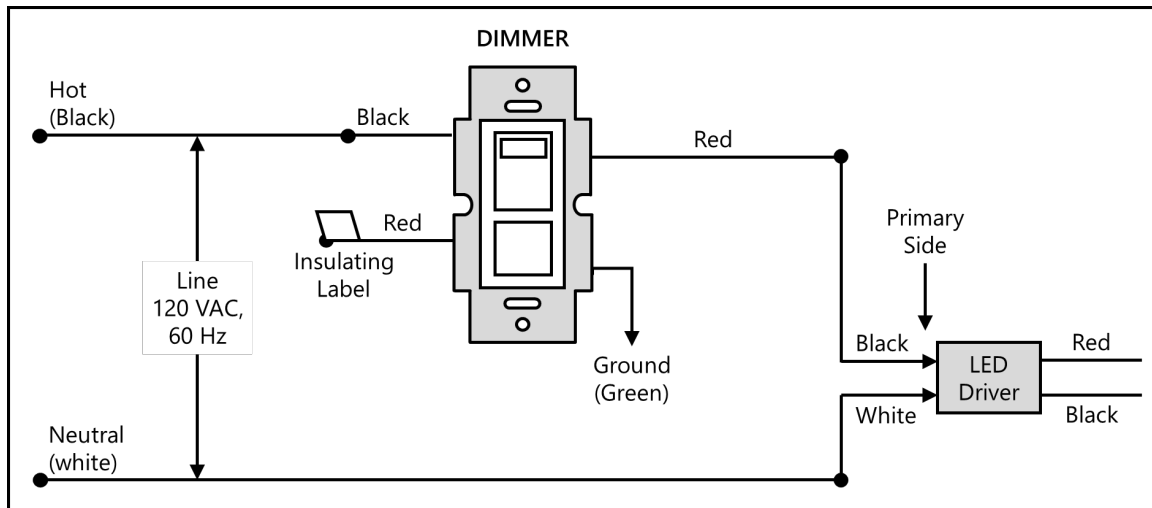
A. Wire the D1 0-10V Dimming Switch

1. Electric Mirror recommends Leviton IP710-LFZ (not included) for 0-10 Volt Dimming.
 - a. A 0-10 Volt control signal is a DC voltage that varies between zero and ten volts.
 - b. The controlled lighting should scale its output so that at 10 V, the controlled light is at 100% of its potential output, and at 0 V it should be at the lowest possible dimming level.
 - c. The low voltage wires must be run in separate conduit from the line voltage supply.
 - d. The enclosure has two knockouts to accommodate the two sets of wire.
2. A second luminaire disconnect is provided for the low voltage dimming wires.
 - a. Match colored wires, purple to purple, grey to grey.
3. May not be compatible with all mirror options



B. Wire the D2 Forward Phase Dimming Switch

1. Electric Mirror recommends the Leviton IPL06-10Z switch (not included) for Forward Phase Dimming.
 - a. Two-wire control is a line-voltage phase-control dimming method.
 - b. The LED driver receives the dimming signal through the dimming hot wire.
2. May not be compatible with all mirror options

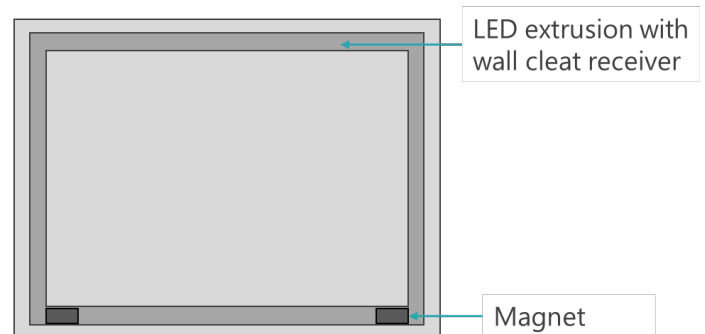
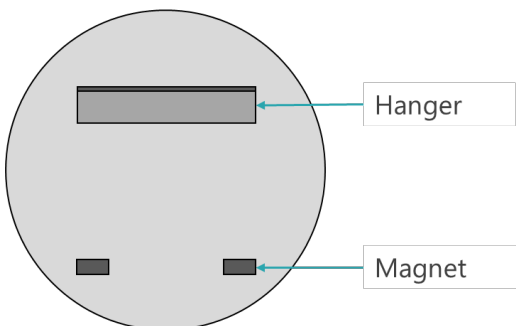


VII. HANG THE FIXTURE

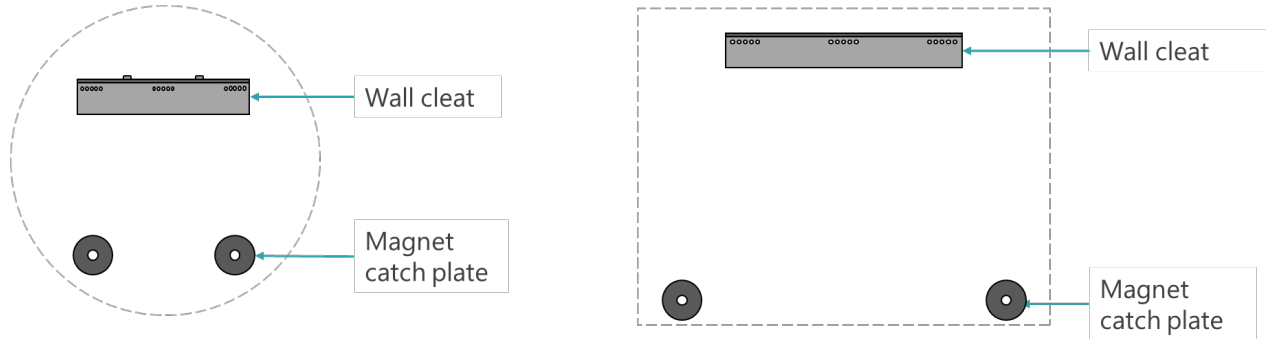
A. Understand the hanging system.

Hanging the fixture involves four components:

1. Determine the type of hanging mechanism located on the back of the fixture
 - a. A hanger (round fixtures)
 - b. An LED extrusion with wall cleat receiver (rectangle fixtures).
2. Anchoring magnets located on the bottom of the fixture.

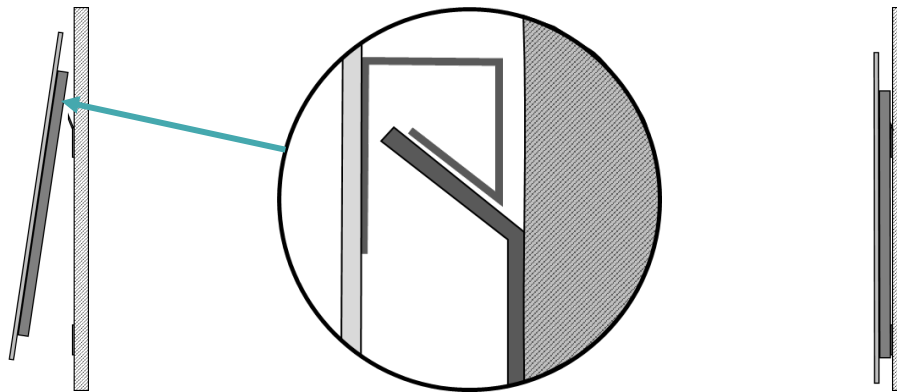


3. Wall cleat
4. Catch plates



B. Align the fixture with the wall cleat.

1. Hanging the fixture
 - a. Carefully lift the fixture and angle the top edge slightly towards the wall to align the hanger with the wall cleat.
 - b. Ensure the cleat catches in the channel on the back of the mirror
 - c. Allow the bottom of the fixture to swing toward the wall.
 - d. Slide the fixture down the wall until the hanger sits solidly on the wall cleat.
 - e. Ensure the anchoring magnets strike the catch plates.



VIII. CLEAN THE MIRROR

A. Use the correct cleaning product.

1. The best and safest cleaning product is clean, warm water used with a soft cloth.
2. If using a commercial glass or mirror cleaner, select one that does not contain ammonia or vinegar.
3. Do not use Windex.

B. Use the correct cleaning cloth.

1. Always use soft, grit-free, and lint-free cloths to reduce the chance of scratching the mirror surface.

C. Use the correct cleaning method.

1. Never spray the water or cleaner directly onto the mirror.
2. Instead, apply it directly to the cloth, and then wipe the mirror.
3. Do not allow the edges of the mirror to get or remain wet.
4. Be sure to dry all joints and edges thoroughly to be certain no water or cleaner comes in contact with the edge or back surface of the mirror.