

CONGRATULATIONS

You've purchased the finest lighted mirror available, from the global leader in mirror technology. This lighted mirror is quick and easy to install, and is designed and manufactured to offer you years of enjoyment.

Please read these instructions thoroughly before beginning installation. If you have any questions, please contact our Customer Service team at [425.776.4946](tel:425.776.4946), or customer.support@electricmirror.com.

APPLICATION

These installation instructions apply to the lighted mirrors listed below with a part # prefix that includes any of the below table in the part #.

- Candela (CAN2.1)
- Celestino (CEL2.1)
- Eliseo (ELE2.1)
- Estella (EST2.1)
- Granada (GRA2.1)
- Nuria (NUR2.1)
- Nuria 4 (NUR42.1)
- Nuria with wall Glow (NUR2.1-WG2.1)
- Renato (REN2.1)
- Solia (SOL2.1)
- Tiempo (TIE2.1)
- Tranquilidad (TRA2.1)
- Valeria (VAL2.1)



To confirm the Part # for your product, look for the product sticker on the inside of the chassis.

For mirrors not listed above, see additional Installation Instructions located at <https://www.electricmirror.com/installation-instructions/>

TABLE OF CONTENTS

1. REVIEW IMPORTANT SAFETY INSTRUCTONS.....	2
2. UNPACK YOUR LIGHTED MIRROR.....	2
3. DETERMINE THE MIRROR LOCATION.....	3
4. PREPARE THE ELECTRICAL.....	3
5. ALTERNATE SWITCH WIRING.....	4
6. INSTALL THE CHASSIS.....	5
7. CONNECT THE ELECTRICAL.....	6
8. HANG THE MIRROR.....	8
9. CLEAN THE MIRROR.....	9

1. REVIEW IMPORTANT SAFETY INSTRUCTIONS



A. Use a qualified electrician.

Your lighted mirror must be installed by a qualified technician or electrician. These instructions assume an electrical connection has already been brought to the mirror location in the wall. All electrical components must be serviced by qualified electricians. Power source must be disconnected prior to servicing components.

B. Read and follow instructions.

For proper installation, read and install the mirror according to these instructions, and keep a copy for future use. Failure to follow these instructions voids the warranty.

C. Follow safety precautions.

To prevent injury, the mirror must be installed according to these instructions. Failure to do so could result in serious injury or death.

2. UNPACK YOUR LIGHTED MIRROR

A. Verify the contents.

Unpack the fixture, identify and verify all contents prior to installation. In general, your mirror will include the following:

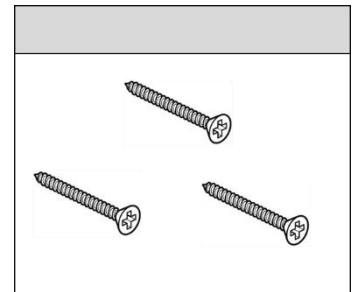
Mirror Assembly



Chassis Assembly



Mounting Hardware



B. Mirror glass is fragile.

Keep any edge protectors in place and rest mirror on a cushioned surface (e.g. towel or foam). Do not place on a hard surface.

3. DETERMINE THE MIRROR LOCATION

A. Confirm proper mirror orientation.

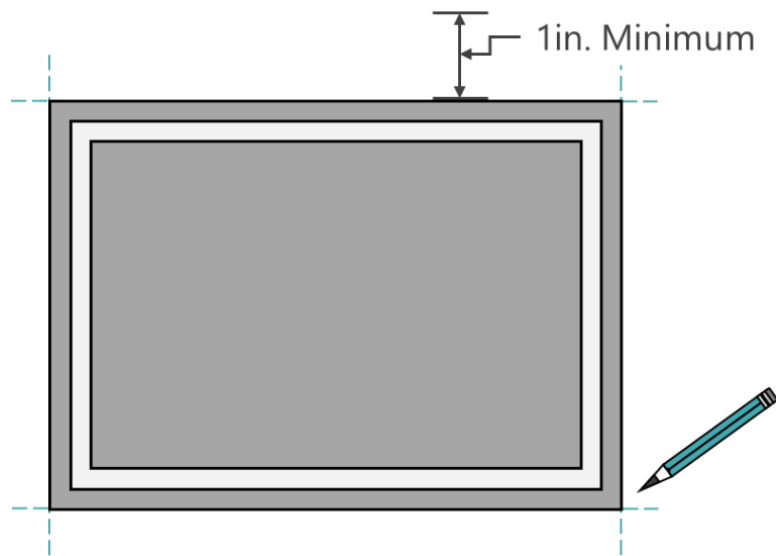
All lighted mirrors must be mounted in the width x height orientation identified in the part number because the mirror hanger is permanently attached to the back of the mirror and can only be installed in the designated orientation.

Refer to fixture sales aid for specific dimensions.

B. Determine and mark mirror location on the wall.

The top edge of the mirror glass must be a minimum of 1" from the ceiling.

Measure your mirror for exact dimension and mark the location on the wall.



4. PREPARE THE ELECTRICAL

A. Follow safety precautions.

Turn power off to the circuit via the breaker box powering this mirror. Follow all NEC (National Electric Code) wiring standards for installation.

B. Identify where the wiring comes through the wall

The lighted mirror requires:

- I. Switched 120V circuit*
- II. If your mirror has additional options, there may be additional power requirements. Refer to model specific sales aid drawing for unique model dimensions, switching, and voltage requirements.

5. ALTERNATE SWITCH WIRING

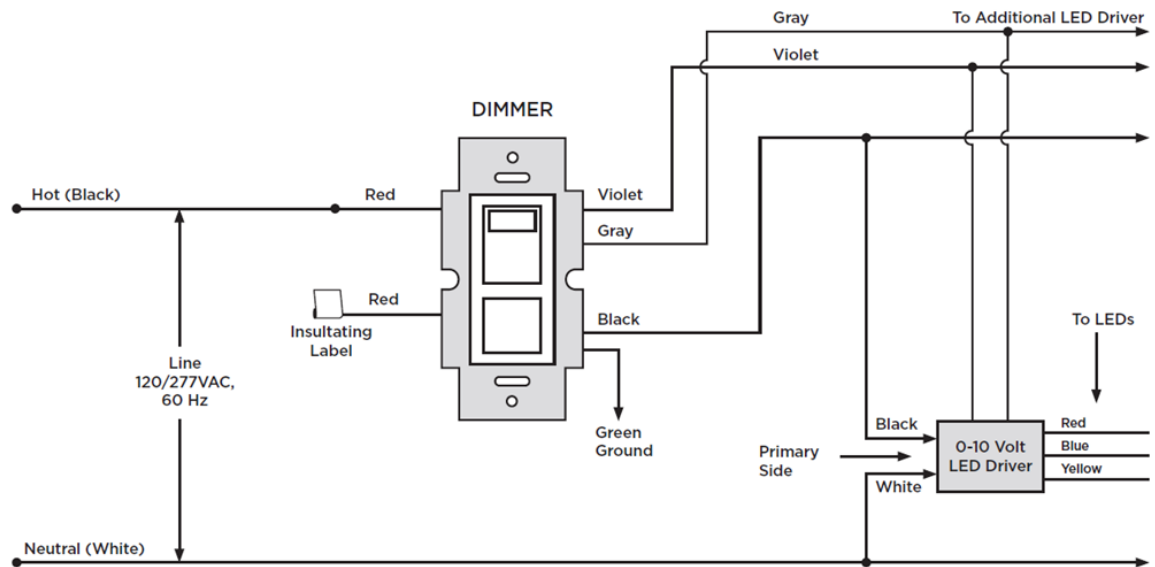
The dimming wall switches will not be compatible with capacitive Touch Dimming upgrades.

A. Determine what type of dimming is being used

- I. If no dimming, skip to step 6
- II. If cord connected, skip to step 6
- III. For 0-10 Volt Dimming (D1) see step 5B
- IV. For Phase Dimming (D2) see step 5C
- V. If using capacitive Touch Dimming, see technology specific specification sheets.

B. 0-10VOLT DIMMING SWITCH (D1)

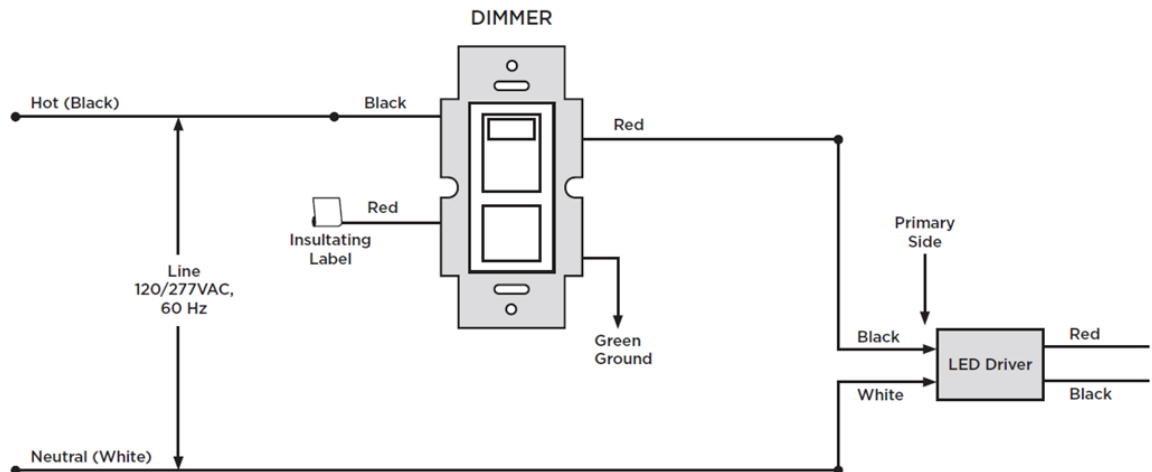
- I. Mirror recommends Leviton IP710-LFZ (not included) for 0-10 Volt Dimming.
 - a. A 0-10 Volt control signal is a DC voltage that varies between zero and ten volts.
 - b. The controlled lighting should scale its output so that at 10 V, the controlled light is at 100% of its potential output, and at 0 V it should be at the lowest possible dimming level.
 - c. The low voltage wires must be run in separate conduit from the line voltage supply.
 - d. The enclosure has two knockouts to accommodate the two sets of wire.
- II. A second luminaire disconnect is provided for the low voltage dimming wires. Match colored wires, purple to purple, grey to grey.



C. Forward Phase Dimming (D2)

Electric Mirror recommends Leviton IPL06-10Z (not included) for Forward Phase Dimming.

- I. Two-wire control is a line-voltage phase-control dimming method. The LED driver receives the dimming signal through the dimmed hot wire.
- II. Some options such as Bluetooth, clocks, nightlights and defogger require an additional power source and cannot be on Forward Phase Dimming Circuit.



6. INSTALL THE CHASSIS

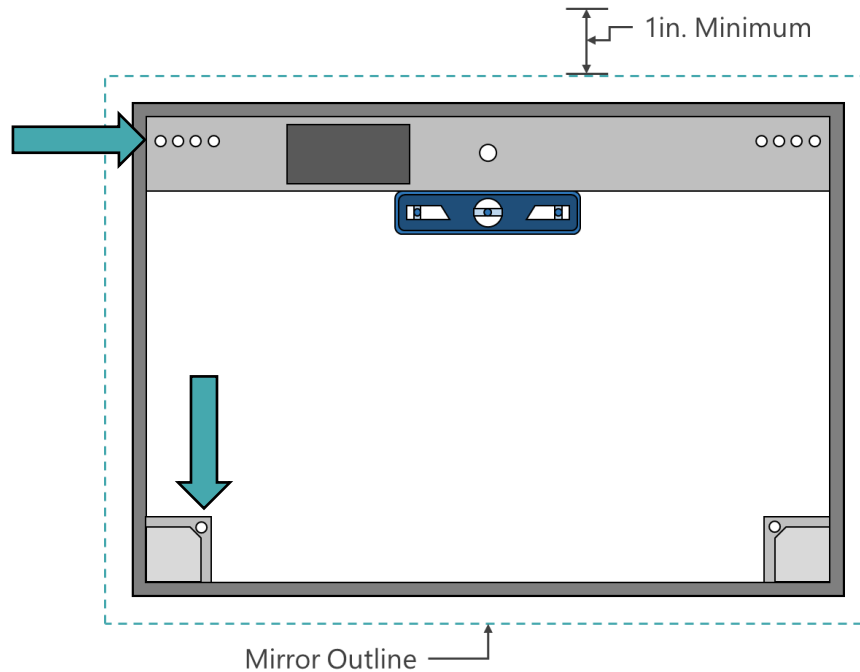
Fixture should be mounted to a mechanically sound surface such as wall studs to support unit weight. Pre-drill holes or use wall anchors as necessary.

A. The Mirror must be mounted a minimum of 1in. from the ceiling

- I. Consult the specific sales aid for the fixture to determine proper location on the wall.
- II. Use the keyhole at the top center of the chassis to temporarily affix chassis to the wall.
- III. Use a level to make sure the chassis is level.

B. Secure the chassis to the wall

- IV. Insert screws in the provided locations in the top two corners first, a minimum of one screw per corner.
- V. Install the bottom two mounting screws. The chassis mounting is now complete

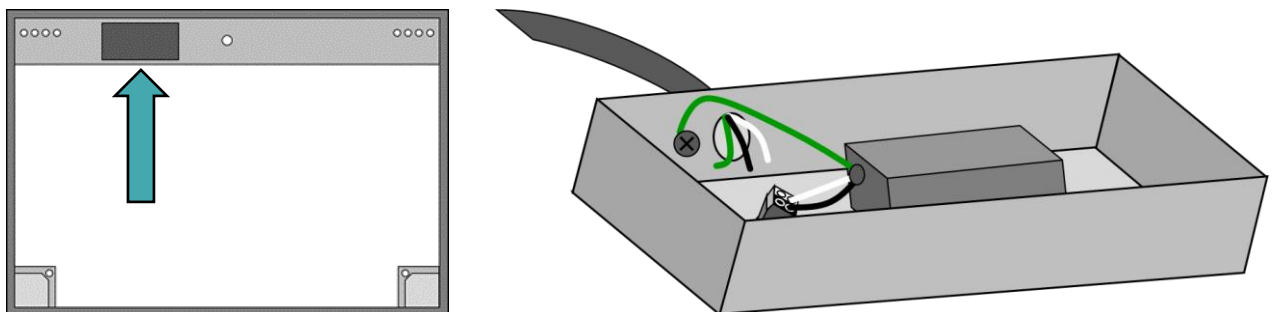


7. CONNECT THE ELECTRICAL

A. Prepare the luminaire connectors.

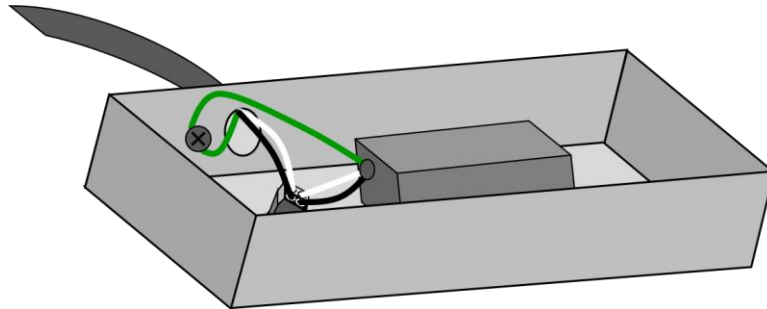
The lighted mirror uses a luminaire connector for connecting the power from the wall to the driver enclosure inside the fixture. To prepare the connectors, follow these steps:

- I. Bring the whip to the driver via the knockout on the underside of the driver enclosure.
- II. Secure whip to the enclosure with appropriate clamp or termination fitting.

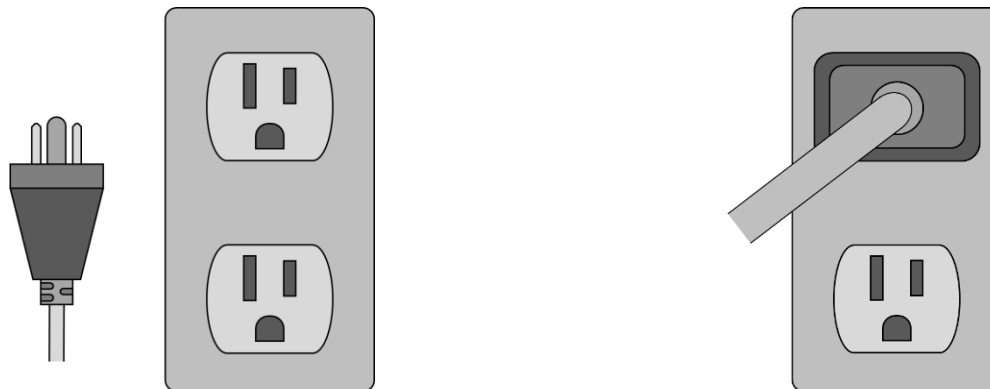


B. Connect the wires.

- II. Take the Ground (green) wire and strip the wire 0.375".
 - a. Connect the ground wire by inserting it into the ground connector on the driver enclosure.
 - b. Secure the screw
- III. Strip the hot (black) and neutral (white) wires in the same way as the ground.
 - a. Insert the hot and neutral wires into the open spots on the luminaire connector.
 - b. The connectors are a push-wire style; you will not require any tooling to insert the wires.



C. If the mirror is cord connected, plug provided cord into the prepared wall socket



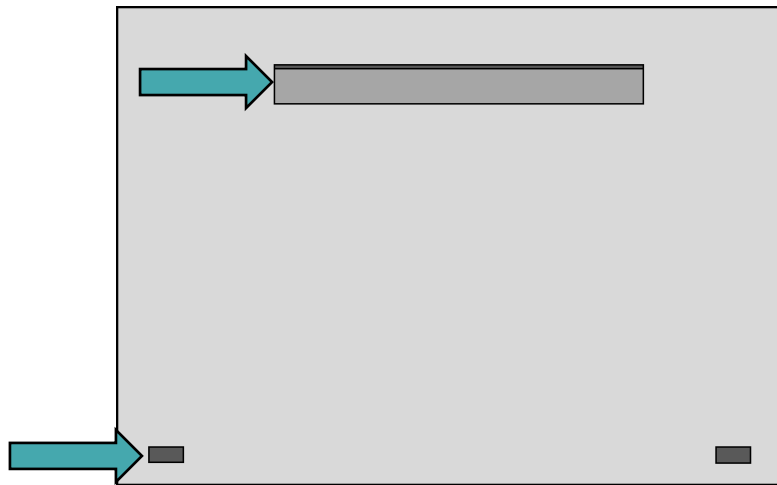
8. HANG THE MIRROR

A. Understand the hanging system.

Hanging the mirror involves three components:

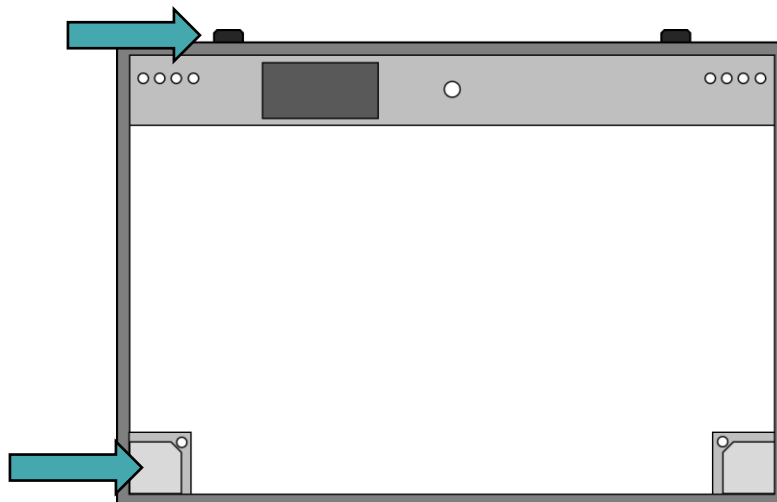
- I. A hanger located on the back of the mirror
- II. Anchoring magnets located on the bottom of the mirror

Mirror Back



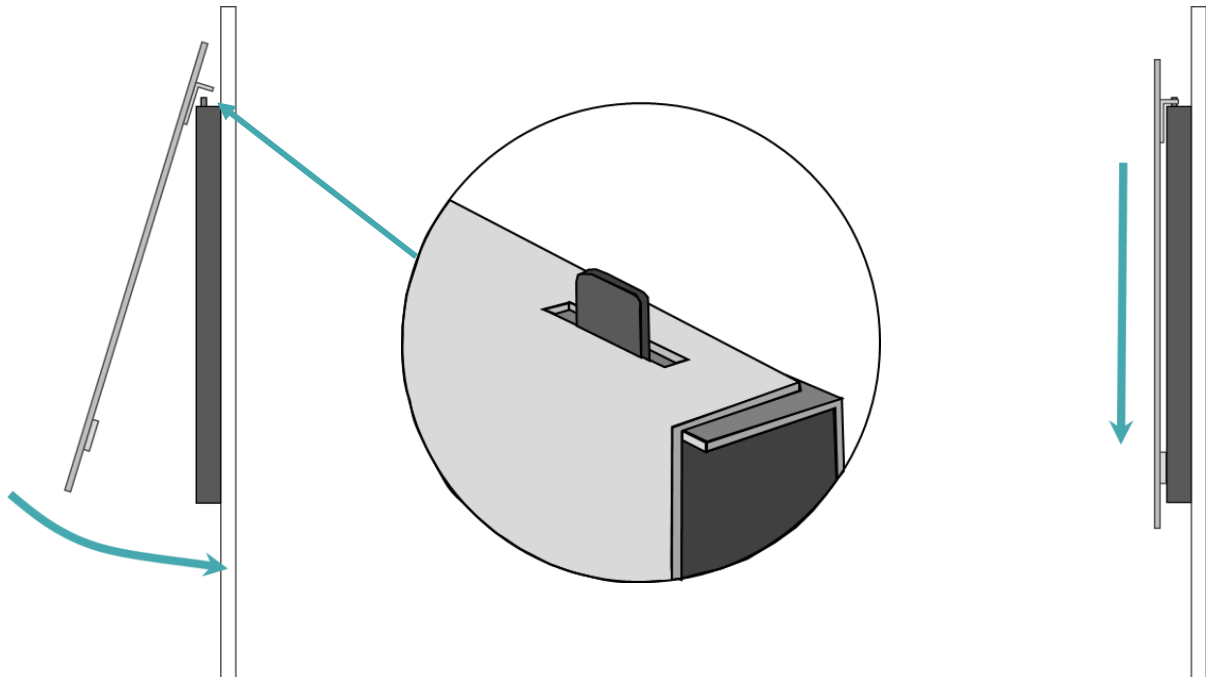
- III. Chassis with hanging tabs and magnet catch plates

Chassis Affixed to Wall



B. Align the mirror with the mounting cleat.

- I. Carefully lift the mirror and angle the top edge slightly towards the wall to align the mirror hanger with the mounting tabs at the top of the chassis.
- II. Allow the bottom of the mirror to swing towards the wall.
- III. Slide the fixture down the wall until the hanger sits solidly on the tabs.
- IV. Ensure magnets gently strike the catch plates.



9. CLEAN THE MIRROR

Use the correct cleaner.

The best and safest cleaner is clean, warm water used with a soft cloth. If using a commercial glass or mirror cleaner, be sure to select one that does not contain ammonia or vinegar. Do not use Windex.

A. Use the correct cleaning cloth.

Always use soft, grit-free and lint-free cloths to reduce the chance of scratching the mirror surface.

B. Use the correct cleaning method.

Never spray the water or cleaner directly onto the mirror. Instead, apply it directly to the cloth, and then wipe the mirror. Do not allow the edges of the mirror to get or remain wet. Be sure to dry all joints and edges thoroughly to be certain no water or cleaner comes in contact with the edge or back surface of the mirror.